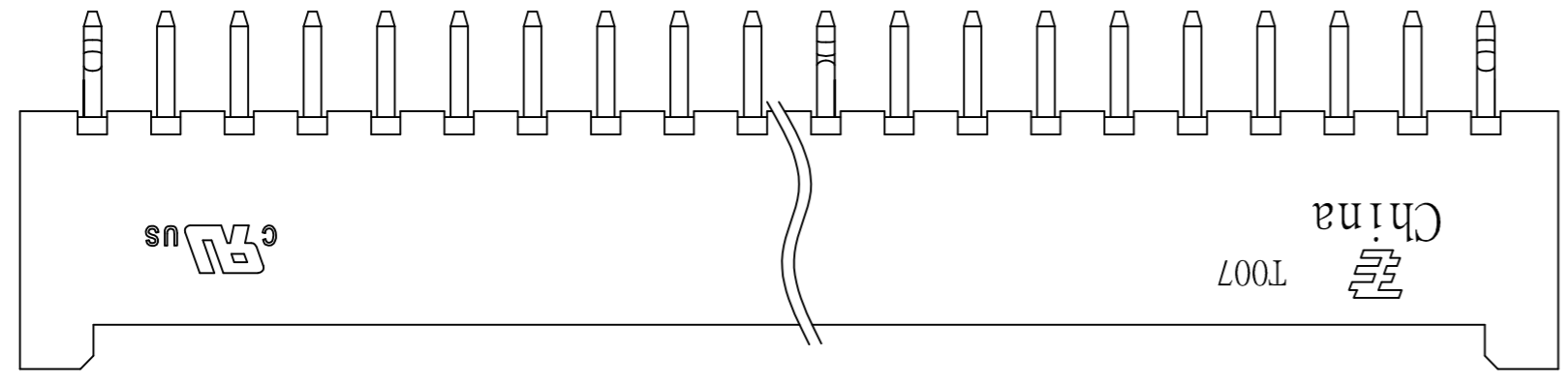
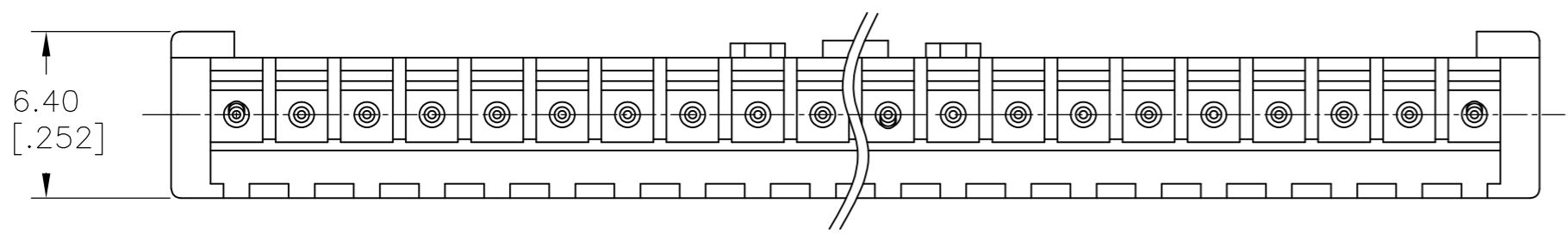
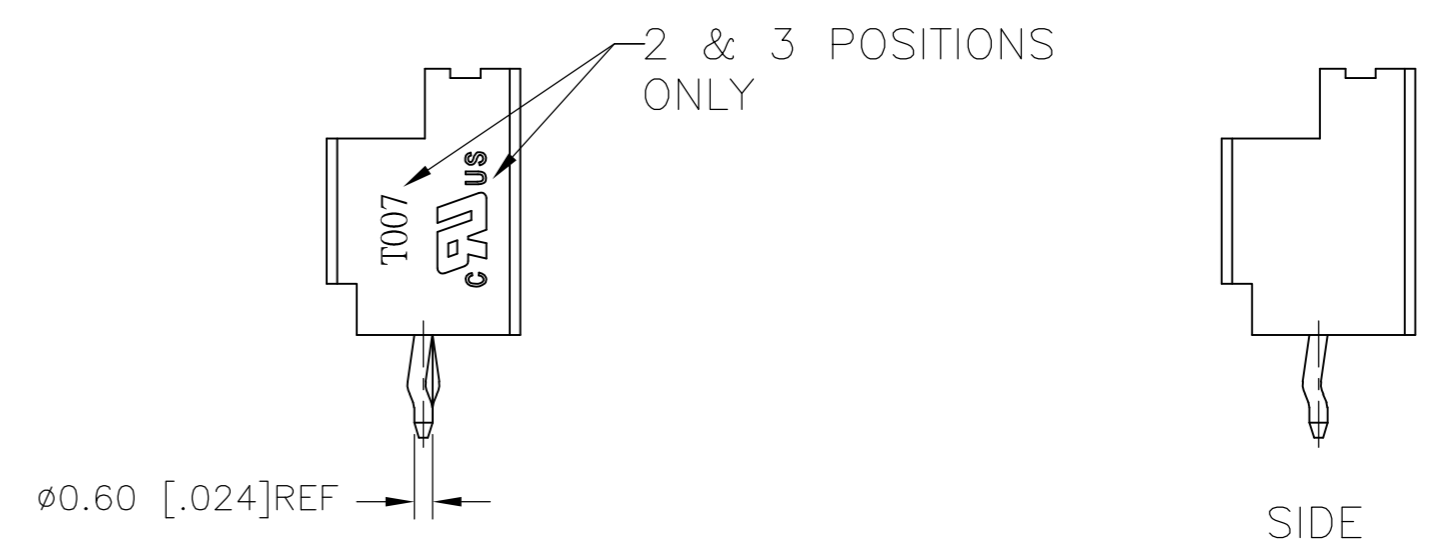
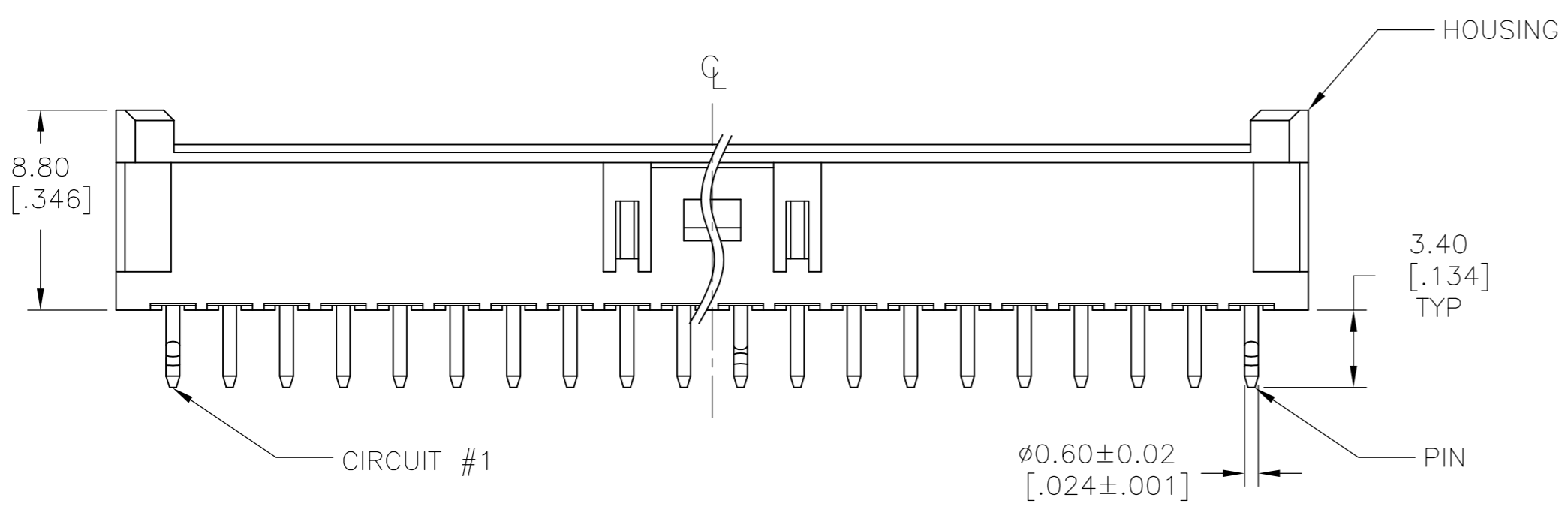
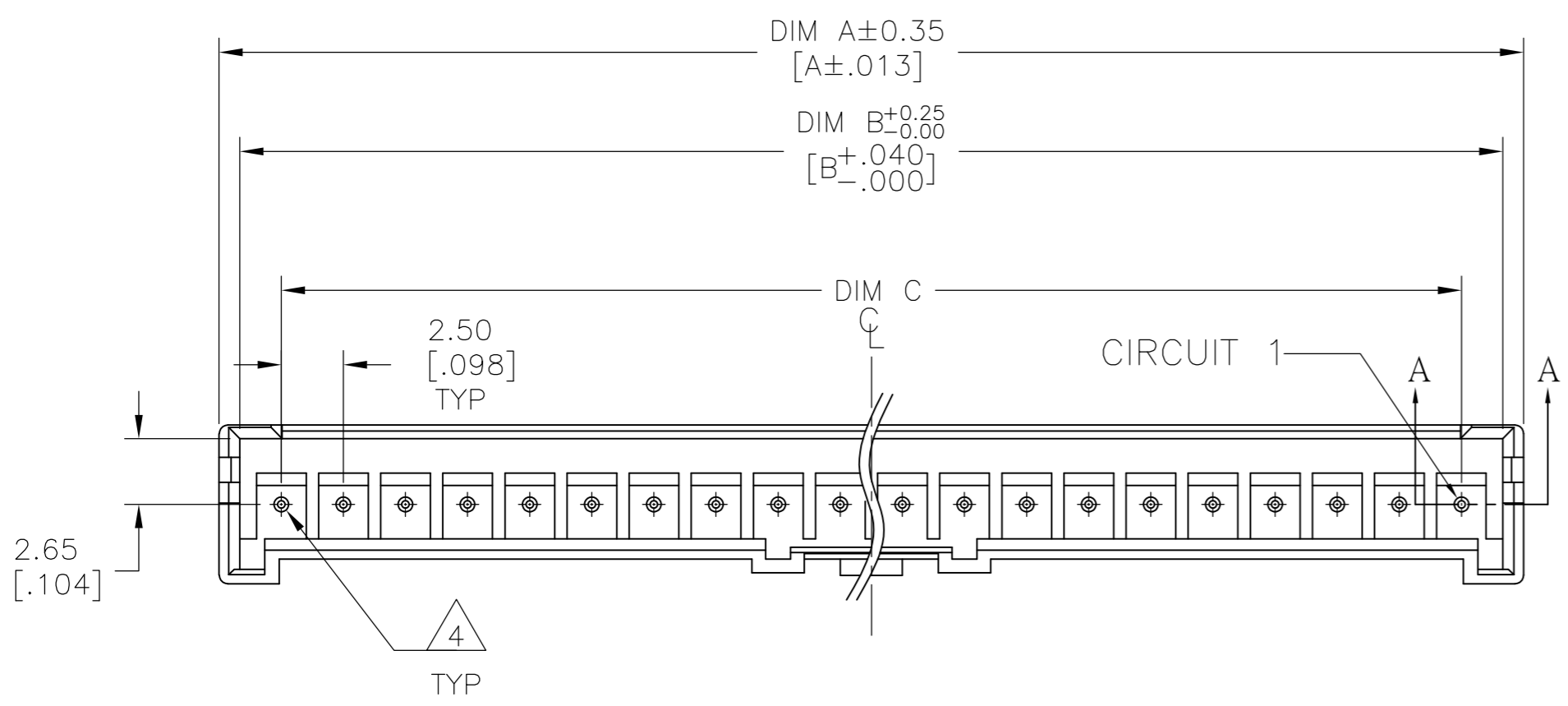


THIS DRAWING IS UNPUBLISHED. RELEASED FOR PUBLICATION
 © COPYRIGHT - By - ALL RIGHTS RESERVED.

LOC		DIST		REVISIONS			
P	LTR	DESCRIPTION		DATE	DWN	APVD	
D		REVISED PER ECR-15-003835		22APR2015	O.C	D.Z	



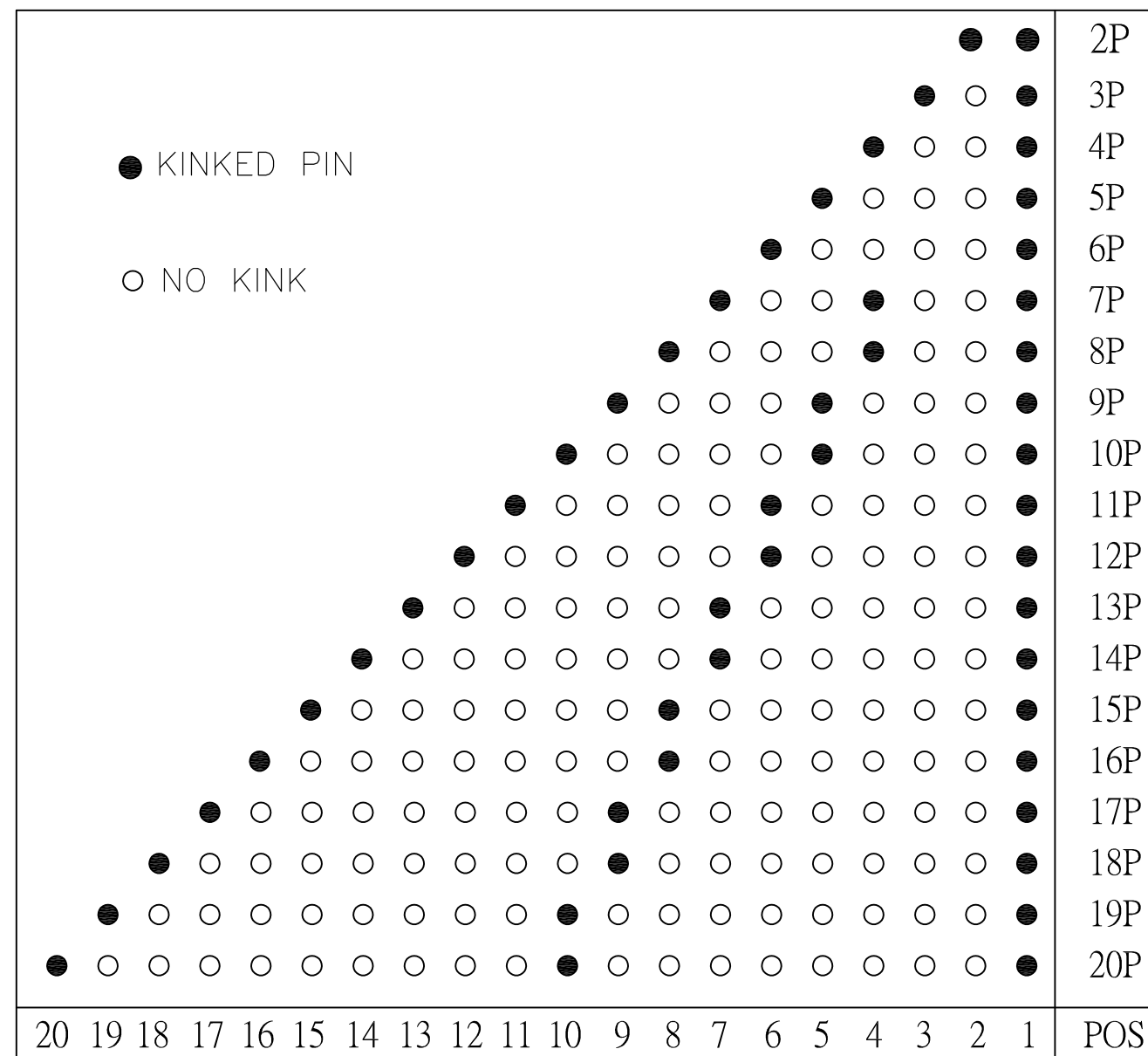
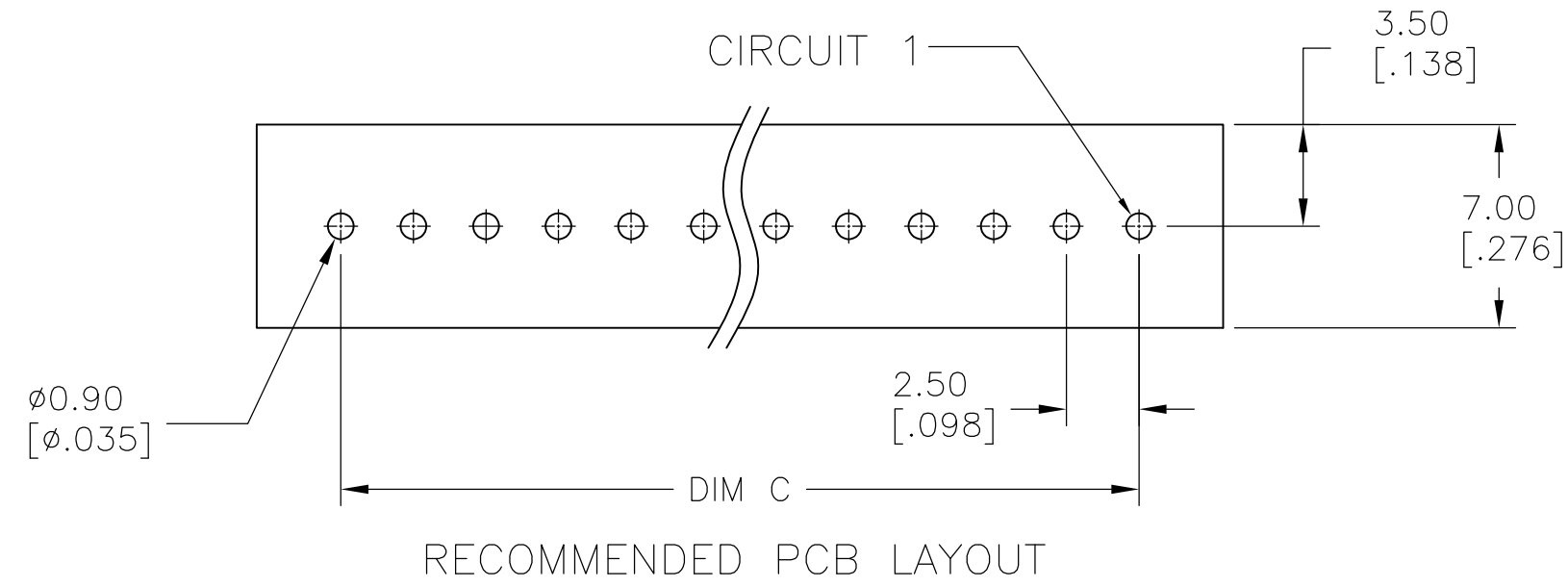
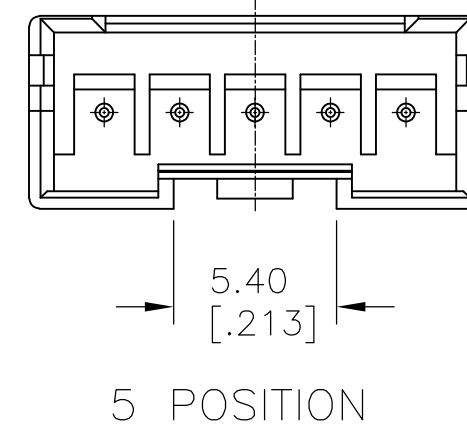
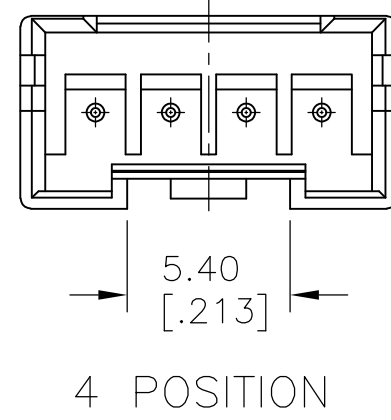
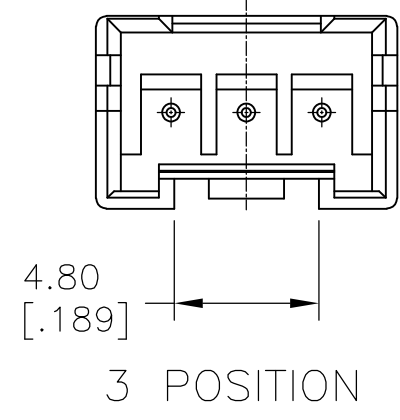
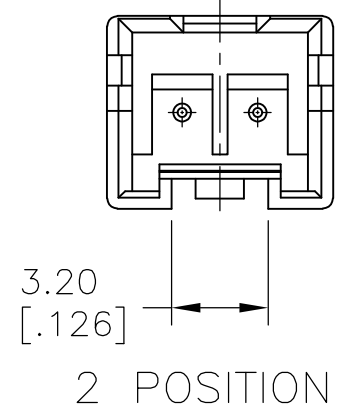
- 1 MATERIAL: NYLON, UL94 V0, COLOR: NATURAL
- 2 PARTS TESTED TO IEC 60695-2-11 AND IS COMPLIANT TO IEC 60335-1.
- 3 HOUSING MATERIAL MEETS MINIMUM GLOW WIRE FLAMMABILITY INDEX OF 850°C PER IEC 60695-2-12 AND MINIMUM GLOW WIRE IGNITION TEMPERATURE OF 775°C PER IEC 60695-2-13.
- △ PIN RETENTION: 12 NEWTONS [2.7 LBF] MIN.



THIS DRAWING IS A CONTROLLED DOCUMENT.		DWN	JR RUTH	02FEB12		TE Connectivity		
DIMENSIONS: mm [INCHES]		CHK	MACE SAMUEL	02FEB12		NAME		
TOLERANCES UNLESS OTHERWISE SPECIFIED:		APVD	MACE SAMUEL	02FEB12		PRODUCT SPEC		
0 PLC ± 0.50 1 PLC ± 0.30 2 PLC ± 0.20 3 PLC ± 0.10 4 PLC ± - ANGLES ± 3°		APPLICATION SPEC		108-2418 △ 4		HEADER ASSEMBLY, VERTICAL, ECONOMY POWER, 2.5mm CENTERLINE GLOW WIRE		
MATERIAL	FINISH	WEIGHT	114-13315		SIZE	CAGE CODE	DRAWING NO	RESTRICTED TO
-	-	-	CUSTOMER DRAWING		A2	00779	C=1744439	-
					SCALE	N/A	SHEET	1 OF 2
					REV D			

THIS DRAWING IS UNPUBLISHED. RELEASED FOR PUBLICATION
 © COPYRIGHT - By - ALL RIGHTS RESERVED.

LOC		DIST		REVISIONS			
P	LTR	DESCRIPTION	DATE	DWN	APVD		
-	-	SEE SHEET 1	-	-	-		



47.50 [1.870]	50.83 [2.001]	52.50 [2.067]	20	2-1744439-0
45.00 [1.772]	48.33 [1.903]	50.00 [1.968]	19	1-1744439-9
42.50 [1.673]	45.83 [1.804]	47.50 [1.870]	18	1-1744439-8
40.00 [1.575]	43.33 [1.706]	45.00 [1.772]	17	1-1744439-7
37.50 [1.476]	40.83 [1.607]	42.50 [1.673]	16	1-1744439-6
35.00 [1.378]	38.33 [1.510]	40.00 [1.575]	15	1-1744439-5
32.50 [1.280]	35.83 [1.411]	37.50 [1.476]	14	1-1744439-4
30.00 [1.181]	33.33 [1.312]	35.00 [1.378]	13	1-1744439-3
27.50 [1.083]	30.83 [1.214]	32.50 [1.280]	12	1-1744439-2
25.00 [.984]	28.33 [1.115]	30.00 [1.181]	11	1-1744439-1
22.50 [.886]	25.83 [1.017]	27.50 [1.083]	10	1-1744439-0
20.00 [.787]	23.33 [.919]	25.00 [.984]	9	1744439-9
17.50 [.689]	20.83 [.820]	22.50 [.886]	8	1744439-8
15.00 [.591]	18.33 [.722]	20.00 [.787]	7	1744439-7
12.50 [.492]	15.83 [.623]	17.50 [.689]	6	1744439-6
10.00 [.394]	13.33 [.525]	15.00 [.591]	5	1744439-5
7.50 [.295]	10.83 [.426]	12.50 [.492]	4	1744439-4
5.00 [.197]	8.33 [.328]	10.00 [.394]	3	1744439-3
2.50 [.098]	5.83 [.229]	7.50 [.295]	2	1744439-2
DIM C	DIM B	DIM A	POS	PART NO

THIS DRAWING IS A CONTROLLED DOCUMENT.		DWN JR RUTH 02FEB12	TE Connectivity	
DIMENSIONS: mm [INCHES]		CHK MACE SAMUEL 02FEB12		
TOLERANCES UNLESS OTHERWISE SPECIFIED:		APVD MACE SAMUEL 02FEB12	NAME	
0 PLC ± 0.50		PRODUCT SPEC	108-2418	
1 PLC ± 0.30		APPLICATION SPEC	114-13315	
2 PLC ± 0.20		WEIGHT	-	
3 PLC ± 0.10		SCALE	A2	
4 PLC ± -		FINISH	-	
ANGLES ± 3°		CAGE CODE	00779	
MATERIAL		DRAWING NO	C=1744439	
FINISH		RESTRICTED TO	-	
-		CUSTOMER DRAWING	SCALE N/A SHEET 2 of 2 REV D	